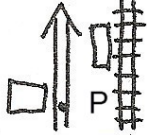

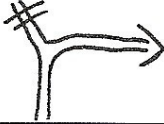




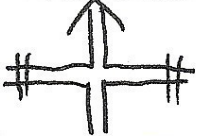


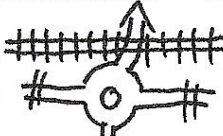




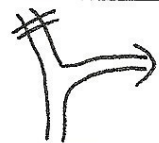










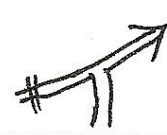

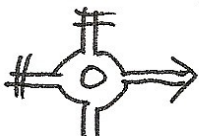











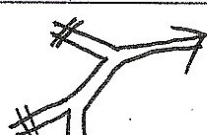

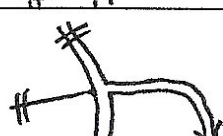

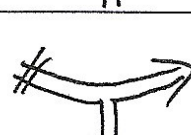


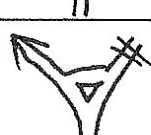
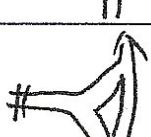





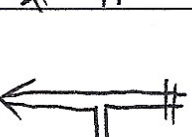
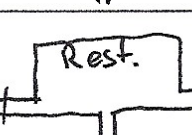

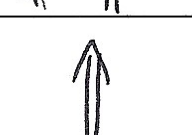




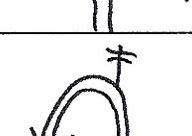








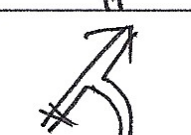

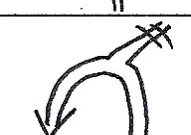


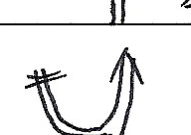

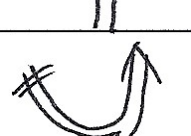
1	0.00		CAP 310
2	0.75		
3	1.50		
4	1.19		
5	0.58		
6	0.18		
7	1.35		
8	2.32		
9	2.22		
10	0.42		
11	1.88		!!
12	0.19		
13	1.64		
14	1.54		
	15.76		

15	2.72		
16	1.27		
17	2.37		Aussicht geniessen
18	1.82		
19	0.28		
20	0.21		
21	2.00		
22	0.56		
23	1.66		
24	1.95		
25	0.18		
26	2.02		
27	2.54		
28	1.22		
	36.56		

29	1.94		
	<b>38.50</b>		
30	0.67		
	<b>39.17</b>		
31	2.53		
	<b>41.70</b>		
32	1.21		
	<b>42.91</b>		
33	2.33		
	<b>45.24</b>		
34	4.17		
	<b>49.41</b>		
35	0.34		Ende Teil 1 weiter bei Bild 43
	<b>49.75</b>		
36	###		
	<b>0.00</b>		
37	0.00		
	<b>0.00</b>		
38	0.00		
	<b>0.00</b>		
39	0.00		
	<b>0.00</b>		
40	0.00		
	<b>0.00</b>		
41	0.00		
	<b>0.00</b>		
42	0.00		
	<b>0.00</b>		















43	0.00		CAP 110 Aegeri
	<b>0.00</b>		
44	1.87		
	<b>1.87</b>		
45	0.45		
	<b>2.32</b>		
46	0.18		
	<b>2.50</b>		
47	0.73		
	<b>3.23</b>		
48	1.96		
	<b>5.19</b>		
49	0.73		
	<b>5.92</b>		
50	0.36		
	<b>6.28</b>		
51	1.39		
	<b>7.67</b>		
52	0.09		
	<b>7.76</b>		
53	0.04		
	<b>7.80</b>		
54	0.50		
	<b>8.30</b>		
55	0.63		
	<b>8.93</b>		
56	1.32		
	<b>10.25</b>		


57	1.41		
	<b>11.66</b>		
58	0.85		
	<b>12.51</b>		
59	2.39		
	<b>14.90</b>		
60	0.17		
	<b>15.07</b>		
61	2.22		
	<b>17.29</b>		
62	0.10		
	<b>17.39</b>		
63	1.24		
	<b>18.63</b>		
64	5.13		
	<b>23.76</b>		
65	2.31		Tankstelle
	<b>26.07</b>		
66	0.20		
	<b>26.27</b>		
67	0.54		
	<b>26.81</b>		
68	2.38		
	<b>29.19</b>		
69	1.46		
	<b>30.65</b>		
70	0.47		
	<b>31.12</b>		

71	1.02		
	<b>32.14</b>		
72	2.71		
	<b>34.85</b>		
73	2.74		
	<b>37.59</b>		
74	1.03		
	<b>38.62</b>		
75	1.70		
	<b>40.32</b>		
76	4.19		
	<b>43.51</b>		
77	4.29		
	<b>47.80</b>		
78	0.64		↗
	<b>48.44</b>		
79	3.43		↗
	<b>51.87</b>		
80	4.40		
	<b>56.27</b>		
81	0.86		
	<b>57.13</b>		
82	0.53		↘
	<b>57.66</b>		
83	1.13		↘
	<b>58.79</b>		
84	2.45		
	<b>61.24</b>		

85	0.86		
62.10			
86	3.14		
65.24			
87	5.01		
70.25			
88	0.93		
71.18			
89	0.16		
71.34			
90	2.38		Ende Teil 2 Weiterbei Bild 99
73.72			
91	###		
0.00			
92	0.00		
0.00			
93	0.00		
0.00			
94	0.00		
0.00			
95	0.00		
0.00			
96	0.00		
0.00			
97	0.00		
0.00			
98	0.00		
0.00			

99	0.00		CAP230
0.00			
100	1.17		GERSAU
1.17			
101	3.01		
4.18			
102	4.60		
8.78			
103	12.82		Tankstelle
21.60			
104	5.92		
27.52			
105	0.40		
27.92			
106	0.32		
28.24			
107	0.08		
28.32			
108	3.62		
31.94			
109	1.32		!
33.26			
110	1.02		
34.28			
111	5.00		
39.28			
112	0.53		
39.81			

113	0.44		
<b>40.25</b>			
114	0.32		
<b>40.57</b>			
115	2.31		
<b>42.88</b>			
116	1.41		
<b>44.29</b>			
117	1.45		
<b>45.74</b>			
118	1.48		
<b>47.22</b>			
119	0.58		
<b>47.80</b>			
120	1.73		
<b>49.53</b>			
121	0.10		
<b>49.63</b>			
122	0.89		
<b>50.52</b>			
123	5.08		
<b>55.60</b>			
124	0.78		
<b>56.38</b>			
125	0.66		
<b>57.04</b>			
126	1.52		
<b>58.56</b>			

127	0.33		Ziel
<b>58.89</b>			
128	0.00		
<b>0.00</b>			
129	0.00		
<b>0.00</b>			
130	0.00		
<b>0.00</b>			
131	0.00		
<b>0.00</b>			
132	0.00		
<b>0.00</b>			
133	0.00		
<b>0.00</b>			
134	0.00		
<b>0.00</b>			
135	0.00		
<b>0.00</b>			
136	0.00		
<b>0.00</b>			
137	0.00		
<b>0.00</b>			
138	0.00		
<b>0.00</b>			
139	0.00		
<b>0.00</b>			
140	0.00		
<b>0.00</b>			